

WC Touch Flush Valve – Duct Type

PRODUCT FEATURES

- Heavy duty S/S grade 304 cover plate with satin finish
- Piston valve with build-in stainless steel strainer for screening out the debris
- Complete with 1-1/4" vacuum breaker set
- Brass chrome finished dual flush button

PRODUCT SPECIFICATIONS

- Dimension : Ø70mm
- Material : Brass casting flush valve
- Water Supply : BSPT G 1"
- Supply Pressure : 135 kPa (flowing) – 860 kPa
(minimum flow rate of 90 litre/minute)

DISCHARGE VOLUME

- Full Flush : 4.5L per flush
- Reduced Flush : 3.0L per flush



RESOURCEFUL FEATURES:



Hold-Flow
Flushing

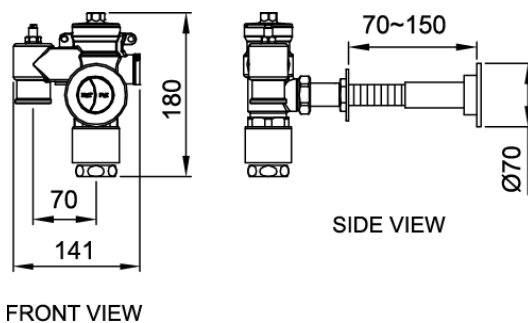


Dual Flush
Mechanism

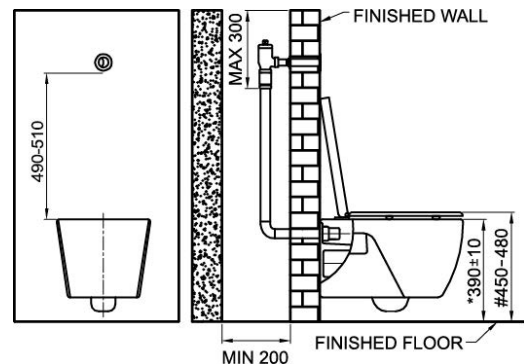


Build in Manual
Overriding Button

TECHNICAL DRAWING



INSTALLATION DETAILS



STANDARD (*)

390±10 from floor finishing to the rim of water closet

HANDICAPPED (#)

450-480 from floor finishing to the top of the water closet seat

490-510 - From bottom edge panel to water closed rim